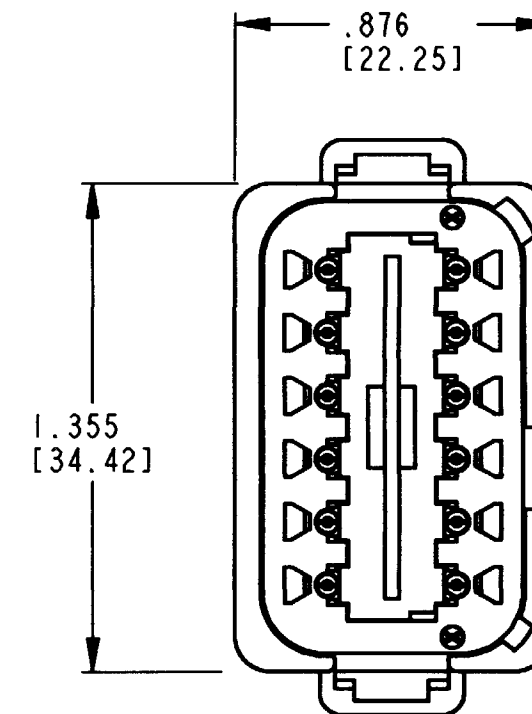
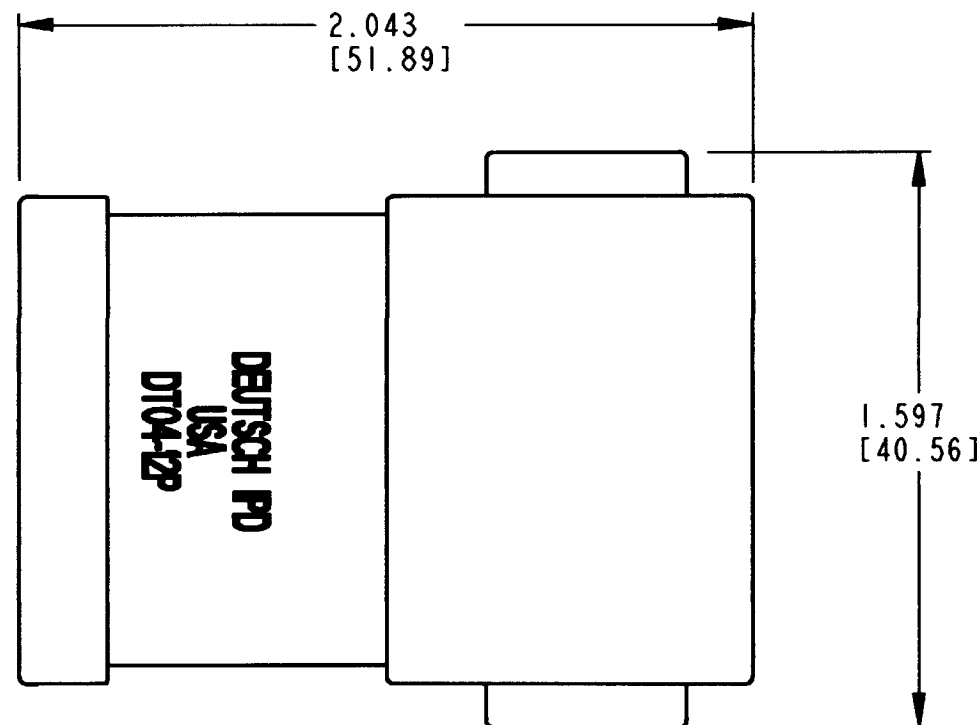
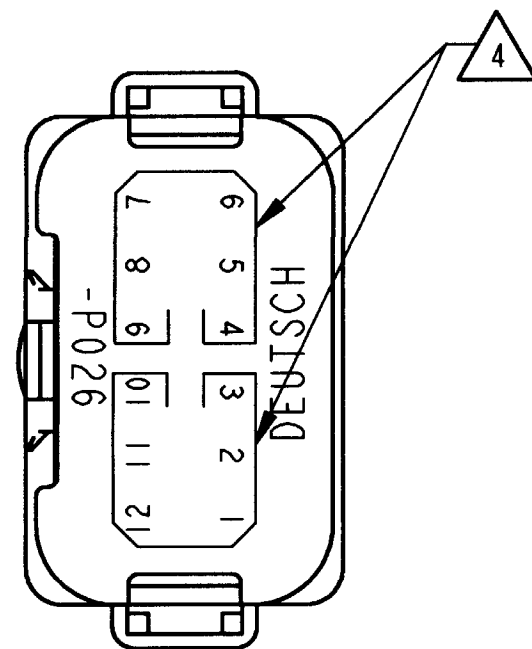


3D VIEW



REV	DT04-12PA-P026	REVISIONS		
NC	SYM	DESCRIPTION	DATE	APPROVED
	NC	NEW RELEASE PER E.O. P16659	5-5-00	RDR

4. BORDER SIGNIFIES THAT PINS 1,2,3,10,11,12 AND PINS 4,5,6,7,8,9 ARE BUSSED TOGETHER WITH 6 PIN BUSBARS.
3. THIS DT04-12PA-P026 MATES WITH DT06-12SA-**** (**** = ALL MODIFICATIONS). CONSULT FACTORY FOR MODIFICATIONS.
2. DIMENSIONS ARE $\pm .025$ [0.63] UNLESS OTHERWISE SPECIFIED.
1. DIMENSIONS ARE IN INCHES [MILLIMETERS].

NOTES:

6. THE MAXIMUM CURRENT RATING FOR THE 6 PIN BUSBAR IS 39 AMPS, 13 AMPS PER PIN.

DR	P. BURKE 5/2/00	DT 12 WAY RECEPTACLE KEY ARRANGEMENT -A- (2) 6 PIN BUSBARS-NICKEL PLATED COLOR: GREY	CP	MATL CODE
CHK	<i>[Signature]</i>		The Deutch Company DEUTSCH I.P.D. 3850 INDUSTRIAL AVE. HEMET, CALIF. 92545	
PE	<i>[Signature]</i> 5-5-00		B	DT04-12PA-P026
APPD	<i>[Signature]</i> 5-5-00		DWG SIZE	CODE 11139 SHEET OF
SCALE	NONE WT	ENVELOPE		